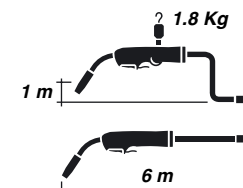


GPZ

M I G R A N G E

TECHNICAL DATA

Voltage class	L
Cooling	Air cooled
Wire Ø mm	0.6 • 0.8 • 9.0 • 1.0 • 1.2 • 1.6
Voltage supply	24 V DC
Average current	1.15 A
Main shaft RPM	300 giri/min
Range wire feeder speed	3.2 ÷ 20 m/min
Spool size	Ø 102 x 45 mm
Spool hole	Ø 16 mm



CONTROL BOX

POWER SUPPLY 220 V

SYSTEM	TORCH	CONTROL BOX	CONSUMABLES	DUTY CYCLE 60%
DM0005	MA1559	BX0412	PLUS 15	180A CO ₂ • 150A Mix
DM0010	MA1569	BX0412	PLUS 25	230A CO ₂ • 200A Mix
DM0015	MA1579	BX0412	PLUS 36	300A CO ₂ • 260A Mix
DM0000	MA1549	BX0412	MEGA 1	200A CO ₂ • 160A Mix
-	MA1539	BX0412	MEGA 2	340A CO ₂ • 320A Mix

DECLARATION OF CONFORMITY

The undersigned company Trafimet - Via del Lavoro, 8 - 36020 Castegnero (VI) - Italy - declares that the product identified and described on this page complies with standard EN 60974-7 in accordance with the requirements contemplated by directive EEC 73/23 low voltage.



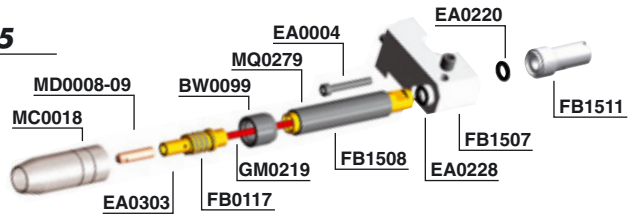
EN 60974-7

trafimet®

your welding partner

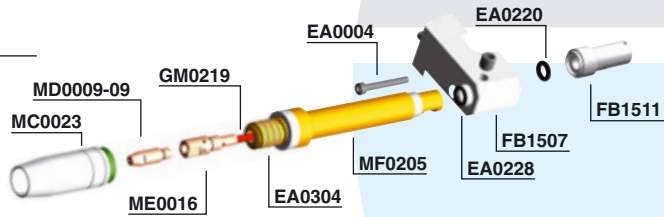
www.trafimet.com

PLUS 15



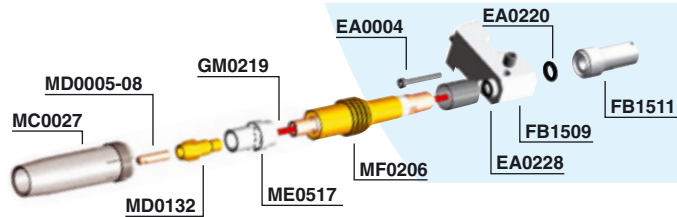
The GPZ PLUS 15 uses the same spare parts as the ERGOPLUS 15 torch

PLUS 25



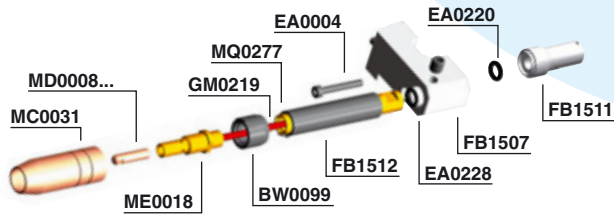
The GPZ PLUS 25 uses the same spare parts as the ERGOPLUS 25 torch

PLUS 36



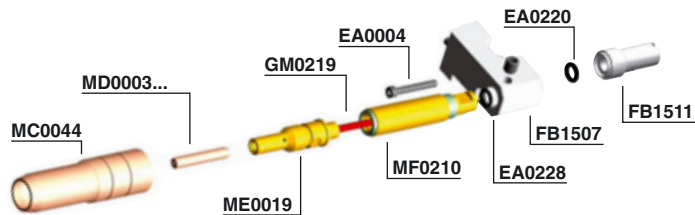
The GPZ PLUS 36 uses the same spare parts as the ERGOPLUS 36 torch

MEGA 1

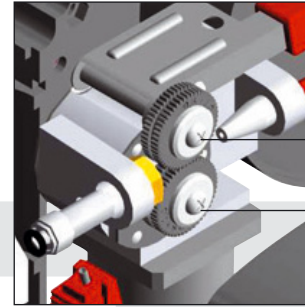


The GPZ MEGA 1 uses the same spare parts as the MEGA 1 torch

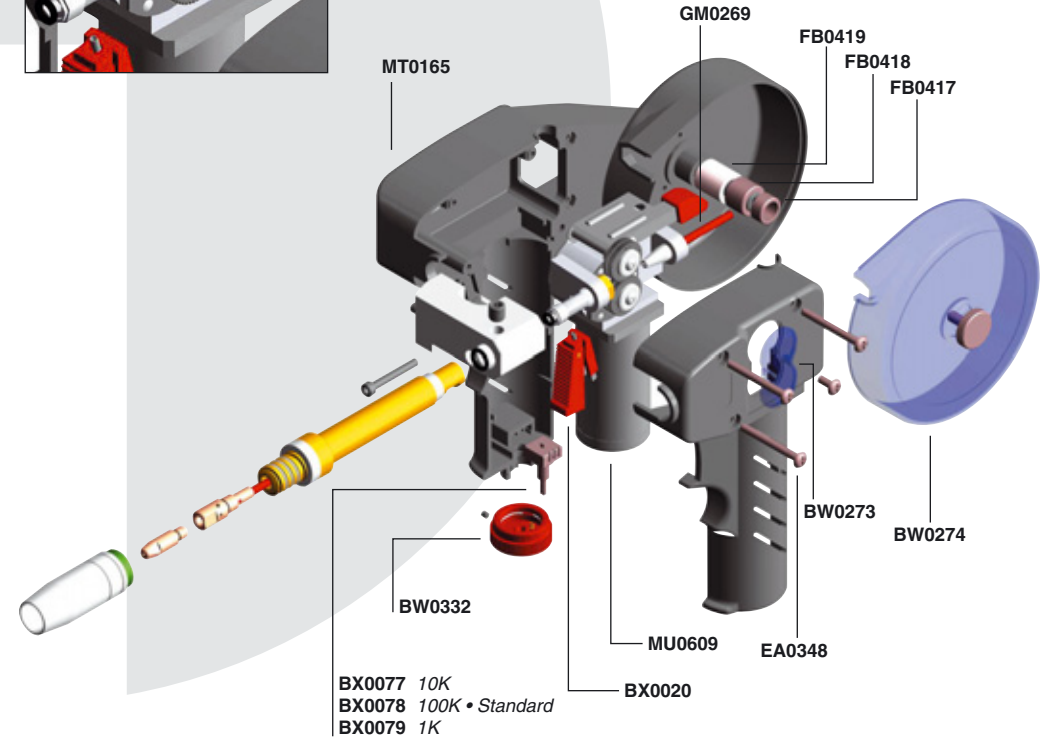
MEGA 2



The GPZ MEGA 2 uses the same spare parts as the MEGA 2 torch



- FA0185 0.8÷1.0 Au
- FA0188 1.2 Au
- FA0192 0.6
- FA0195 0.8÷1.0 • Standard
- FA0198 1.2



- MH0539 Plus 15
- MH0549 Plus 25
- MH0549 Plus 36
- MH0539 Mega 1

