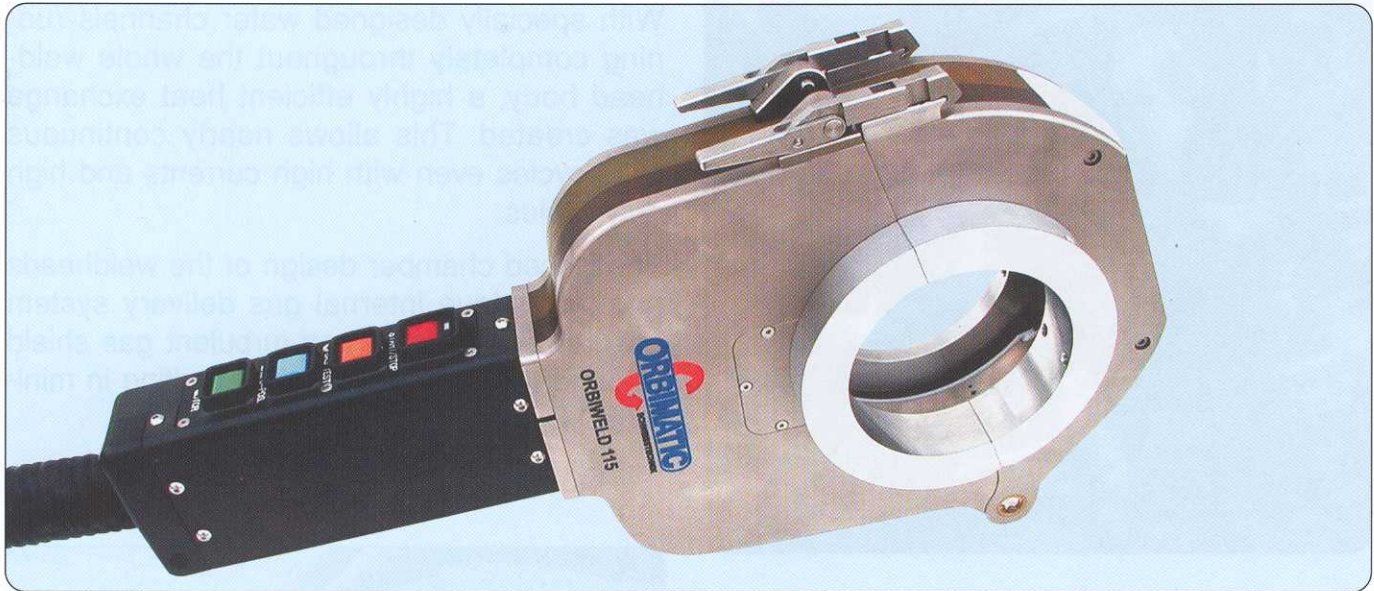


ORBIWELD, THE NEW ORBITAL WELDHEAD GENERATION WITH UNEXCEEDED FEATURES

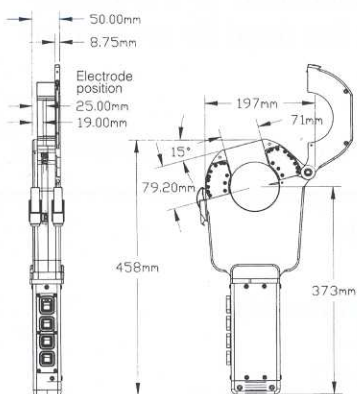


- IN-HANDLE INTEGRATED REMOTE CONTROL
- QUICK-CHANGE SYSTEM FOR COLLETS
- HIGH DUTY CYCLE THROUGH HIGHLY EFFICIENT WATER COOLING
- COLLETS FOR NEARLY ALL STANDARD ELBOWS AND FITTINGS

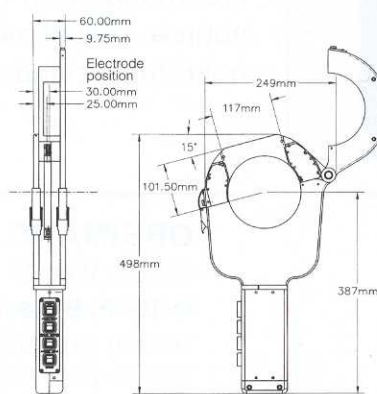
The closed chamber ORBIWELD heads are available in 3 different sizes :

ORBIWELD 65	for tube O.D.	6 – 70 mm
ORBIWELD 115	for tube O.D.	20 – 115 mm
ORBIWELD 170	for tube O.D.	50 – 170 mm

ORBIWELD 65



ORBIWELD 115



ORBIWELD 170

