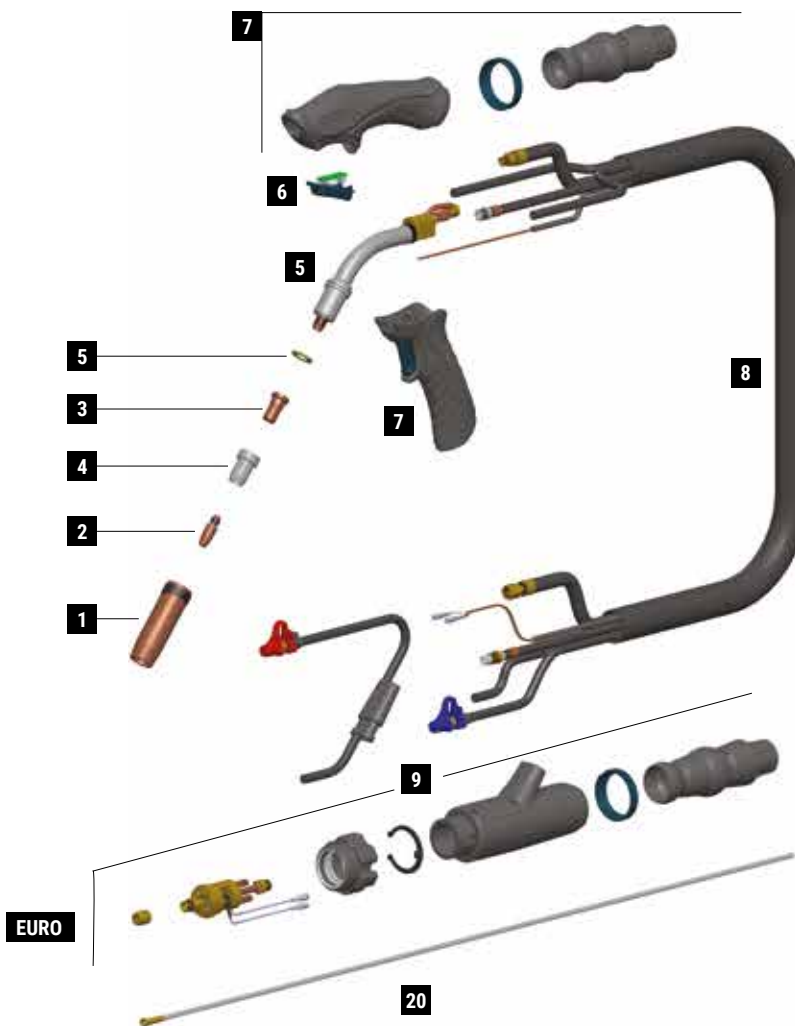


ERGOPLUS 400



CODIGO	↔			
MB2601-030	3 m	10'		1
MB2601-040	4 m	12'		1
MB2601-050	5 m	16.4'		1

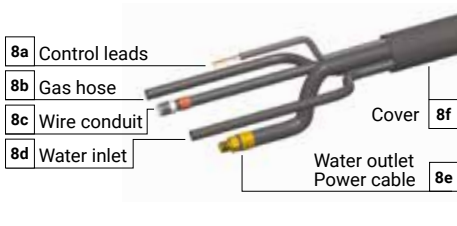
DATOS TECNICOS	
	ERGOPLUS 400
	1,25 kg 2.76 lb
	113
	1,0 ÷ 1,6 mm .040" ÷ 1/16"
	400A CO2 - 350A Mix
	2÷4 bar
	1,6 l/min



	CODIGO			Ø		↔	REF		
1	MC0268		nozzle - 2,5 mm thickness	16 mm	5/8"	76 mm	3"	145.0085	10
1	MC0276		nozzle - 2 mm thickness	16 mm	5/8"	76 mm	3"	145.0085	10
1	MC0290		nozzle - 2,5 mm thickness	14 mm	9/16"	76 mm	3"	145.0132	10
1	MC0291		nozzle - 2,5 mm thickness	20 mm	25/32"	76 mm	3"	145.0051	10
1	MC0292		nozzle - 2,5 mm thickness	15 mm	19/32"	76 mm	3"	-	10
1	MC0293		nozzle - 2,5 mm thickness	20 mm	25/32"	82 mm	3-7/32"	145.0179	10
1	MC0340		heavy duty nozzle - 3 mm thickness	16 mm	5/8"	76 mm	3"	-	10
1	MC0568		quick release nozzle - 2,5 mm thickness	16 mm	5/8"	76 mm	3"	-	10
1	MC0576		quick release light nozzle - 2 mm thickness	16 mm	5/8"	76 mm	3"	-	10
2	MD0005-80		M8 - CuCrZr	1,0 mm	.040"	30 mm	1"-3/16	140.0316	10
2	MD0005-82		M8 - CuCrZr	1,2 mm	.045"	30 mm	1"-3/16	140.0445	10
2	MD0005-84		M8 - CuCrZr	1,4 mm	.052"	30 mm	1"-3/16	140.0536	10
2	MD0005-86		M8 - CuCrZr	1,6 mm	1/16"	30 mm	1"-3/16	140.0590	10
3	ME0076		M8 - brass			25 mm	31/32"	-	10
3	ME0083		M8 - brass			29 mm	1"-5/32	-	10
3	ME0390		M8 - copper			25 mm	31/32"	-	10
4	ME0074		plastic			28 mm	1"-3/32	-	10
4	ME0079		plastic			29 mm	1"-5/32	300029	10
4	ME0479		high-tech plastic			28 mm	1"-3/32	-	10
4	ME0579		ceramic	16 mm	5/8"	28 mm	1"-3/32	-	10
20	GM0530		uncoated steel liner	1,2 ÷ 1,6 mm	.045" ÷ 1/16"	3 m	10'	-	10
20	GM0531		uncoated steel liner	1,2 ÷ 1,6 mm	.045" ÷ 1/16"	4 m	12'	-	10
20	GM0532		uncoated steel liner	1,2 ÷ 1,6 mm	.045" ÷ 1/16"	5 m	16.4'	-	10

	CODIGO			
5	FB1278		insulator	10
5	MG0285		Ergoplus 400 torch head	1
6	MT0563		trigger kit	1
7	MT0560		handle kit	1
7	MT0566		pistol grip	1
8	MN2014-030		cable assembly - 3 m / 10'	1

	CODIGO			
8	MN2014-040		cable assembly - 4 m / 12'	1
8	MN2014-050		cable assembly - 5 m / 16.4'	1
9	AR0052		EURO connector	1
9	BW0020		metal EURO nut	10
9	FA0026		liner nut M10x1	10
9	MT0564		Back box kit	1



	CODIGO	↔
8a	BX1421-030	3 m / 10'
8b	QB0231-030	3 m / 10'
8c	QB0230-030	3 m / 10'
8d	QB0232-030	3 m / 10'
8e	QA0030-030	3 m / 10'
8f	MQ0125-030	3 m / 10'

	CODIGO	↔
8a	BX1421-040	4 m / 12'
8b	QB0231-040	4 m / 12'
8c	QB0230-040	4 m / 12'
8d	QB0232-040	4 m / 12'
8e	QA0030-040	4 m / 12'
8f	MQ0125-040	4 m / 12'

	CODIGO	↔
8a	BX1421-050	5 m / 16.4'
8b	QB0231-050	5 m / 16.4'
8c	QB0230-050	5 m / 16.4'
8d	QB0232-050	5 m / 16.4'
8e	QA0030-050	5 m / 16.4'
8f	MQ0125-050	5 m / 16.4'

STANDARD